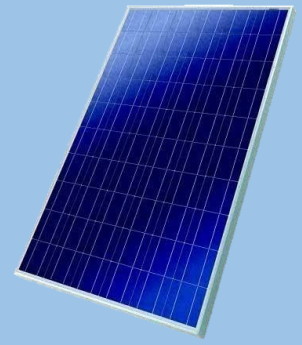




# AF-5P60

## 250~265 Watt



POLYCRYSTALLINE MODULE

sustainability the smart way

## KEY FEATURES



### 5-Busbar Solar Cell

5-Busbar solar cell adopts new technology to improve the efficiency of modules, offers a better aesthetic appearance, making it perfect for rooftop installation.



### Advanced Glass

Our high-transmission glass features a unique antireflective coating that directs more light on the solar cells, resulting in a higher energy yield.



### PID Resistant

Tested in accordance to the standard IEC 62804, our PV modules have demonstrated resistance against PID (Potential Induced Degradation), which translates to security for your investment.



### Top Selling Module Size

First choice for millions of banks and investors, this size is well-suited for on-grid and particularly off-grid applications.



### Severe Weather Resilience

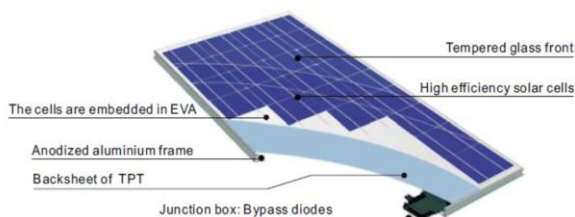
Robust aluminum frame ensures the modules to withstand wind loads up to 2400Pa and snow loads up to 5400Pa.



### Durability

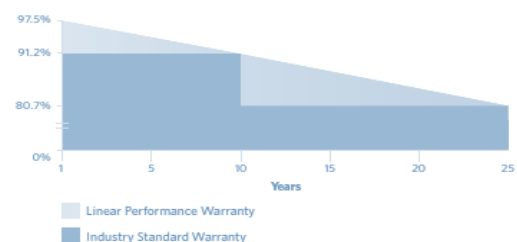
Durable PV modules, independently tested for harsh environmental conditions such as exposure to salt mist, ammonia and known PID risk factors.

## Module Construction



## LINEAR PERFORMANCE WARRANTY

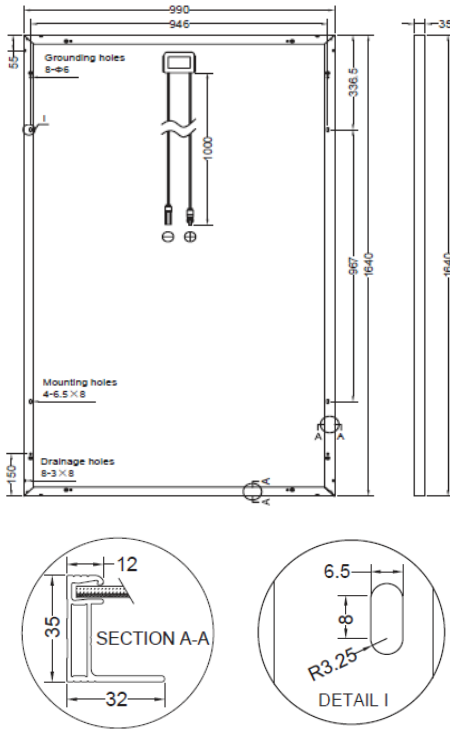
- 10 Year Product Warranty
- 25 Year Linear Power Warranty



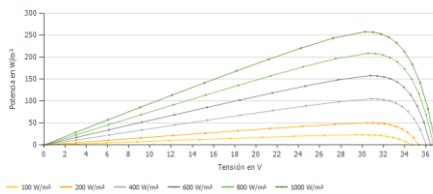
# TECHNICAL DATA

## AF-5P60 250~265W

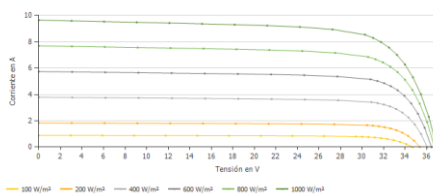
### DIMENSIONS OF PV MODULE (mm)



### I-V CURVES OF PV MODULE



### P-V CURVES OF PV MODULE



### CERTIFICATIONS

- IEC 61215, IEC 61730, CE
- ISO 9001:2015: Quality management system
- ISO 14001:2015: Environmental management system



### ELECTRICAL DATA (STC)

Peak Power Watts- $P_{MAX}$ (Wp)*	250W	255W	260W	265W
Maximum Power Voltage- $V_{MPP}$ (V)	29.8V	30.0V	30.3V	30.5V
Maximum Power Current- $I_{MPP}$ (A)	8.39A	8.49A	8.59A	8.70A
Open Circuit Voltage- $V_{OC}$ (V)	37.6V	37.7V	37.7V	37.8V
Short Circuit Current- $I_{SC}$ (A)	8.92A	9.01A	9.09A	9.18V
Module Efficiency (%)	15.4	15.7	16.0	16.3

STC: Irradiance 1000W/m<sup>2</sup>, Cell Temperature 25°C, Air Mass AM1.5;

\*Measuring tolerance: ±5%.

### ELECTRICAL DATA (NMOT)

Maximum Power- $P_{MAX}$ (Wp)	182.4W	186.0W	189.7W	193.3W
Maximum Power Voltage- $V_{MPP}$ (V)	27.2V	27.4V	27.6V	27.8V
Maximum Power Current- $I_{MPP}$ (A)	6.71A	6.79A	6.87A	6.96A
Open Circuit Voltage- $V_{OC}$ (V)	34.7V	34.8V	34.8V	34.9V
Short Circuit Current- $I_{SC}$ (A)	7.21A	7.28A	7.35A	7.42A

NMOT: Irradiance at 800W/m<sup>2</sup>, Ambient Temperature 20°C, Wind Speed 1 m/s.

### MECHANICAL DATA

Solar Cells	Multi-crystalline silicon 156×156 mm
Number of Cells	60
Module Dimensions	1640×990×35 mm
Weight	18.5 kg
Glass	3.2 mm tempered glass with AR coating
Frame	Anodized Aluminum Alloy
Junction box	IP 65
Cable (length / cross-sectional area)	1000 mm/4 mm <sup>2</sup>
Connector	MC4 IP68

### TEMPERATURE RATINGS

NMOT (Nominal Module Operating Temperature)	46°C±2°C
Temperature Coefficient of $P_{MAX}$	-0.42%/°C
Temperature Coefficient of $V_{OC}$	-0.32%/°C
Temperature Coefficient of $I_{SC}$	0.05%/°C

### MAXIMUM RATINGS

Operational Temperature	-40°C to +85°C
Maximum System Voltage	1000V DC
Max Series Fuse Rating	15A
Max. static load, front/back	5400Pa/2400Pa

### PACKAGING CONFIGURATION

Standard packaging	30 pcs/pallet
Module quantity per 40 container	28 pcs
Box weight	588 kg

### WARRANTY

First year degradation of less than 2.5%  
No less than 80.6% actual power output

CAUTION: READ SAFETY AND INSTALLATION INSTRUCTIONS BEFORE USING THE PRODUCT.